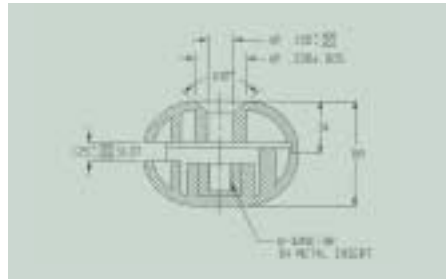
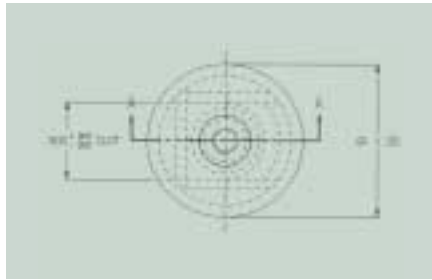
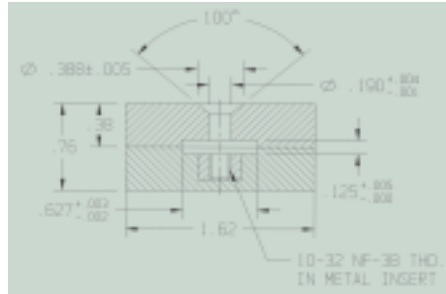
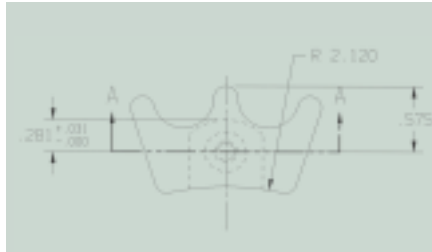




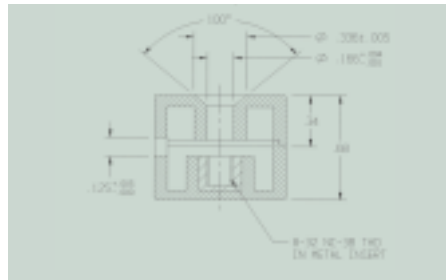
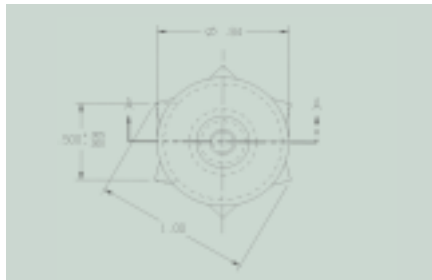
MS26517-2



MS26518-1



MS26519-2



Material and Specification Data

Body- Polycarbonate
 Insert- Brass 1/2 hard per QQ-B-626
 Color- Gray #36440/FED-STD-595

Lighted Handles- In accordance with MIL-STD-411 or MIL-C-81774
 For details see procurement specification MIL-H-8810B.

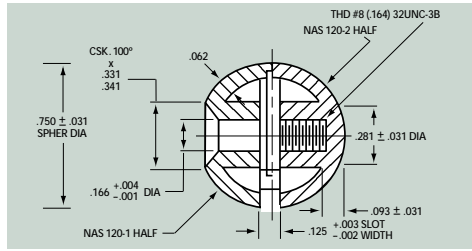
HANDLES, CONTROL, AIRCRAFT

Description	Diam. Width	MS Number
Throttle small	1.00"	MS26517-2
RPM large	1.62"	MS26518-1
Mixture small	1.00"	MS26519-2

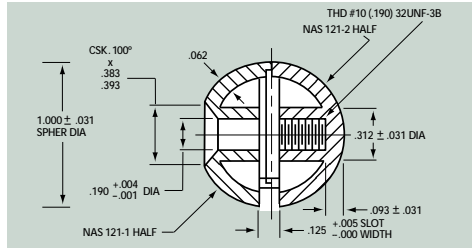




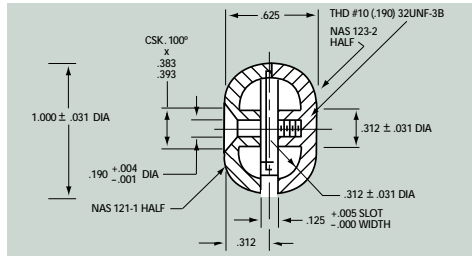
NAS120



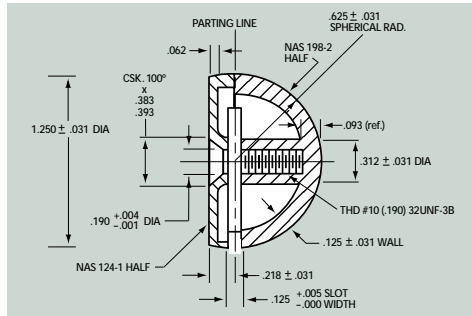
NAS121



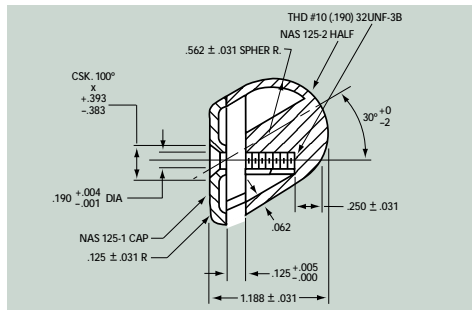
NAS123



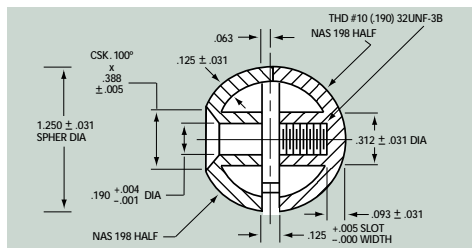
NAS124



NAS125



NAS198



Description	Style Number
Knob Control: 3/4" Spherical	NAS120
Knob Control: 1" Spherical	NAS121
Knob Control: 1" x 5/8" Oval	NAS123
Knob Control: 1 1/4" x 13/16" Horizontal	NAS124
Knob Control: 1 1/8" x 3/16" Angular Semi-Round	NAS125
Knob Control: 1 1/4" Spherical	NAS198

Colors

Color	Color Abbreviation	FED-STD-595 Color Number *
Blue	E	915
Yellow	Y	7972
Green	G	2905
Red	R	1838
Black	B	961
Light Gull Grey	L	36440
Orange	A	8567
White	W	7285
Purple	P	6075
Half Red & Half White	H	1838 (Red) 7285 (White)
Half Orange Yellow & Half Black	C	33538 (Orange Yellow) 37038 (Black)

*Tennessee Eastman Corp.

Materials

Thermoplastic synthetic resin or cellulose derivative with properties similar to FED SPEC L-P-349 Type I or II class or ASTM D707 Grade H2.

Finish

Non-specular

Slot

.125 x .625 (exception: NAS120 is .502)
Tolerance: +.003 -.002

EXAMPLE: NAS120B125

Series	Style	Color Abbreviation	Standard Slot Width
NAS	120	Black #961	.125"

NAS _____ 125

FILL IN STYLE AND COLOR TO COMPLETE

